



# Battery container for hazardous area



ATEX certified for Zone 1 and Zone 2

Type BC





# Battery container type BC

## Application

The battery container type BC is especially designed to operate under most severe environmental conditions in Zone 1 and Zone 2 hazardous areas.

The battery container is used to place standard manufacturer battery blocks, such as:

- lead acid
- nickel cadmium
- nickel metal hydride batteries



Battery containers, type BC, are designed for outdoor use for onshore and offshore environments.

## Standard execution

The battery containers are standard made of stainless steel 316L with a blast cleaned finish. Optional is a paint finish. Other material such as a steel hot dip galvanized finish is possible on request.

The battery containers are foreseen with a special developed labyrinth which will provide adequate ventilation in the container, so the hydrogen concentration will remain below the required limit of the lower explosion level (LEL). These labyrinths are so constructed that they are suitable for operation in open offshore conditions.

Covers are foreseen with a doorcatcher to prevent closing of the cover in open position. The covers are also padlockable to prevent access of unauthorized personnel.

The inside housing of the container is fully insulated to prevent electrical contact with the enclosure.

## Features

- Battery containers are custom made
- Containers are available with top cover and with pick doors
- Container sizes are selected to meet the battery blocks
- Hydrogen test will be executed
- Battery containers are suited to operate in open areas under most aggressive chemical and offshore conditions
- Battery containers can be provided with main switch or circuit breaker, temperature detectors or even with a battery charger suitable for the area built in a separate enclosure.



## General

Electromach is a manufacturer of battery containers with more than 25 years experience.



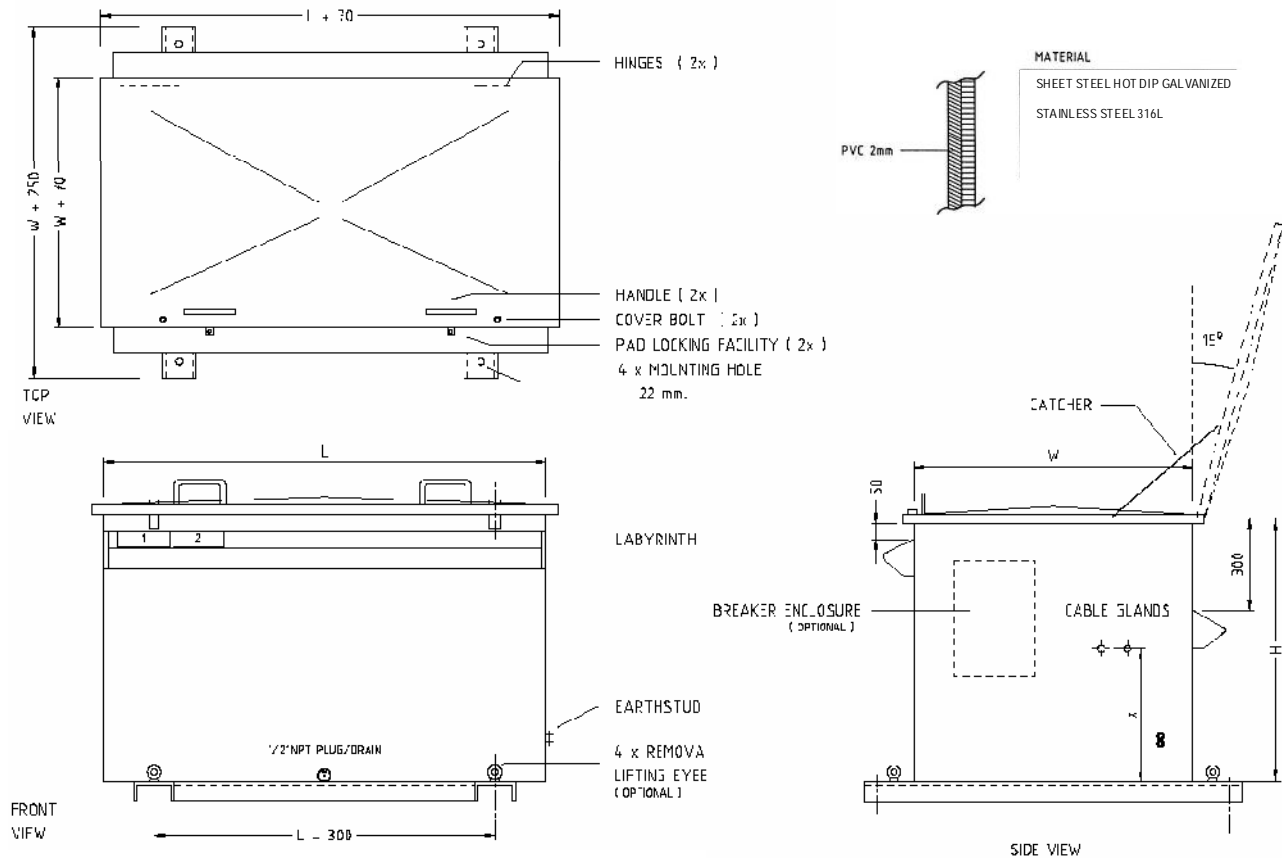
# Technical data data

Type	BC
Make	Electromach
Explosion protection	Ex II 2G EEx e II T6
Suitability	Zone 1 and Zone 2
Test certificate	KEMA 03 ATEX 2446X 'X' stands for special conditions for safe use with regards to charging. (Charger must comply with EN 50019 art. 5.6.4.)
Protection rating	IP 43 (EN 60 529)
Ambient temperature	Depending on type of selected battery
Battery type	Battery types mentioned in the EN 50019 may be used in the battery container
Material enclosure	Stainless steel (others on request) Option: paint finish, steel hot dip galvanized finish
Internal lining	Hard PVC
Cover	Top opening cover with padlock facility Option: pick doors
Cable inlet	According to customer specifications
Option	Main switch or circuit breaker to customer specification





# Lay-out drawing



ELECTROMACH B.V.  
Jan Tinbergenstraat 193, 7559 SP Hengelo, Nederland  
Tel: +31 (0) 74 2 472 472  
Fax: +31 (0) 74 2 435 925  
E-mail: info@electromach.nl

[www.electromach.com](http://www.electromach.com)

STAHL N.V.  
Sint-Gillislaan 6 bus 3, 9200 Dendermonde (Sint-Gillis), België  
Tel: +32 (0) 52 211 351  
Fax: +32 (0) 52 211 347  
E-mail: info@stahl.be

[www.stahl.be](http://www.stahl.be)

